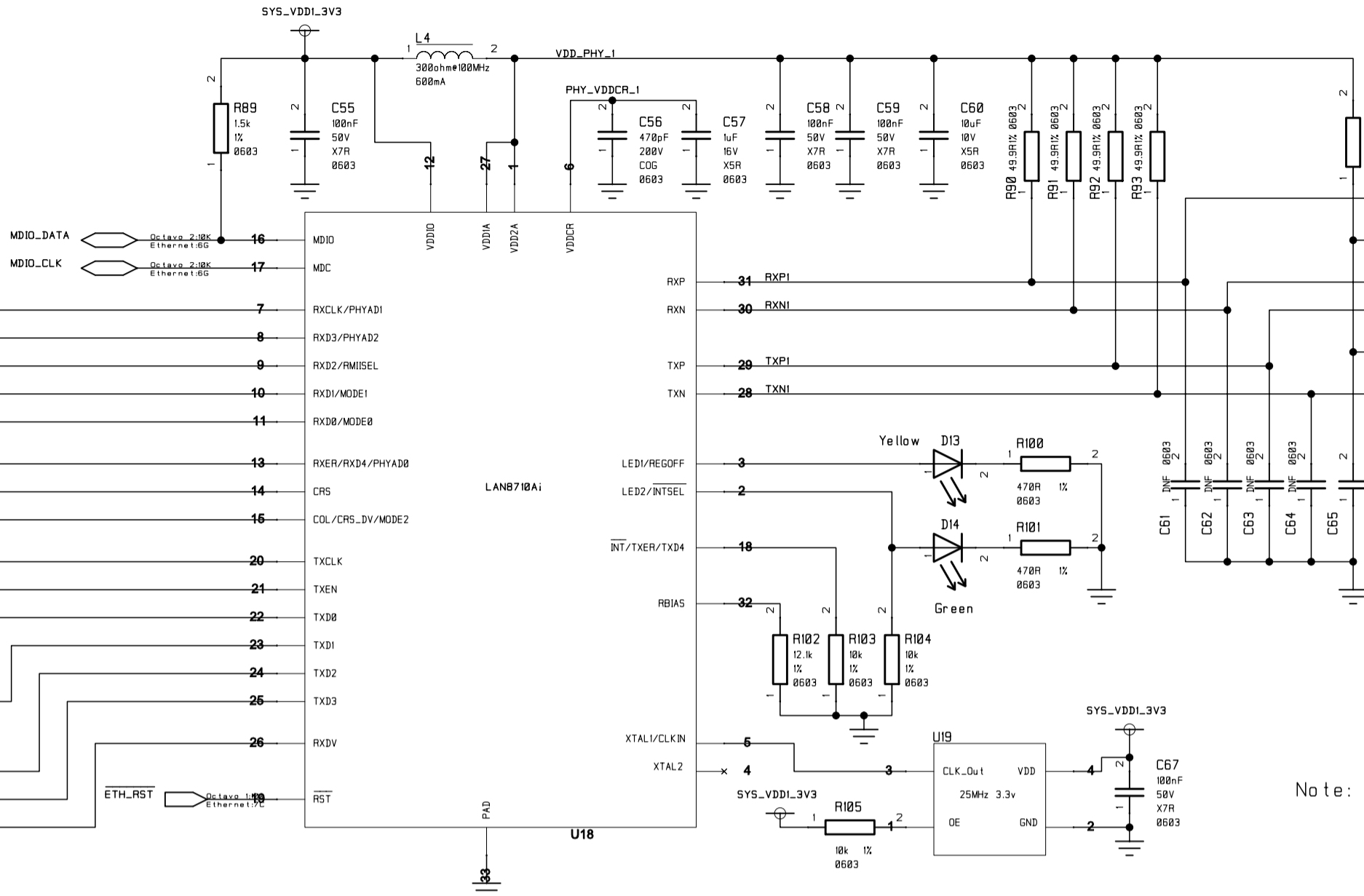
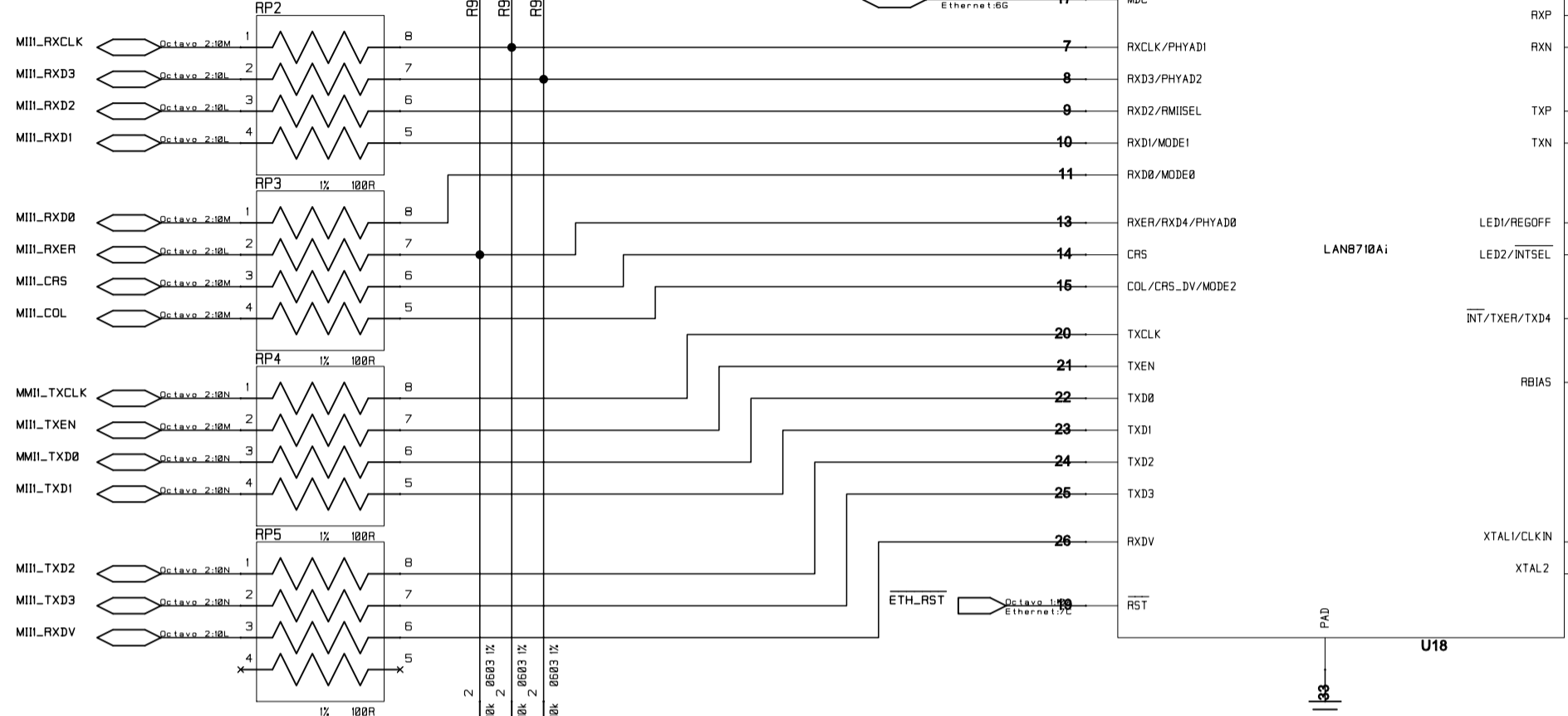
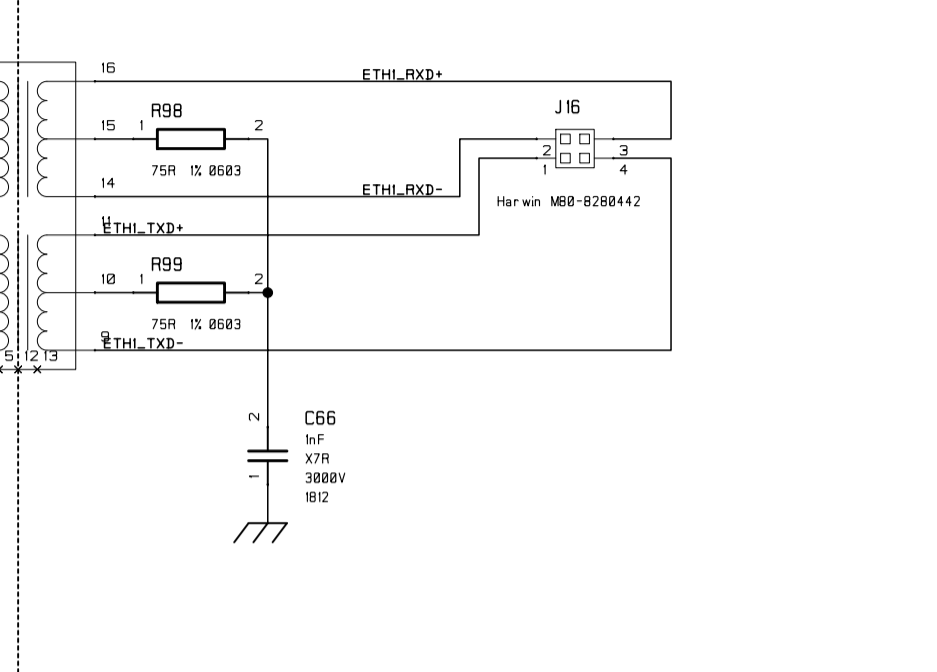


### Ethernet PHY (100baseT) #1

- PHYADDR configured by resistors to 000
- Mode Configured by software
- MI1/RM1 using default MI1



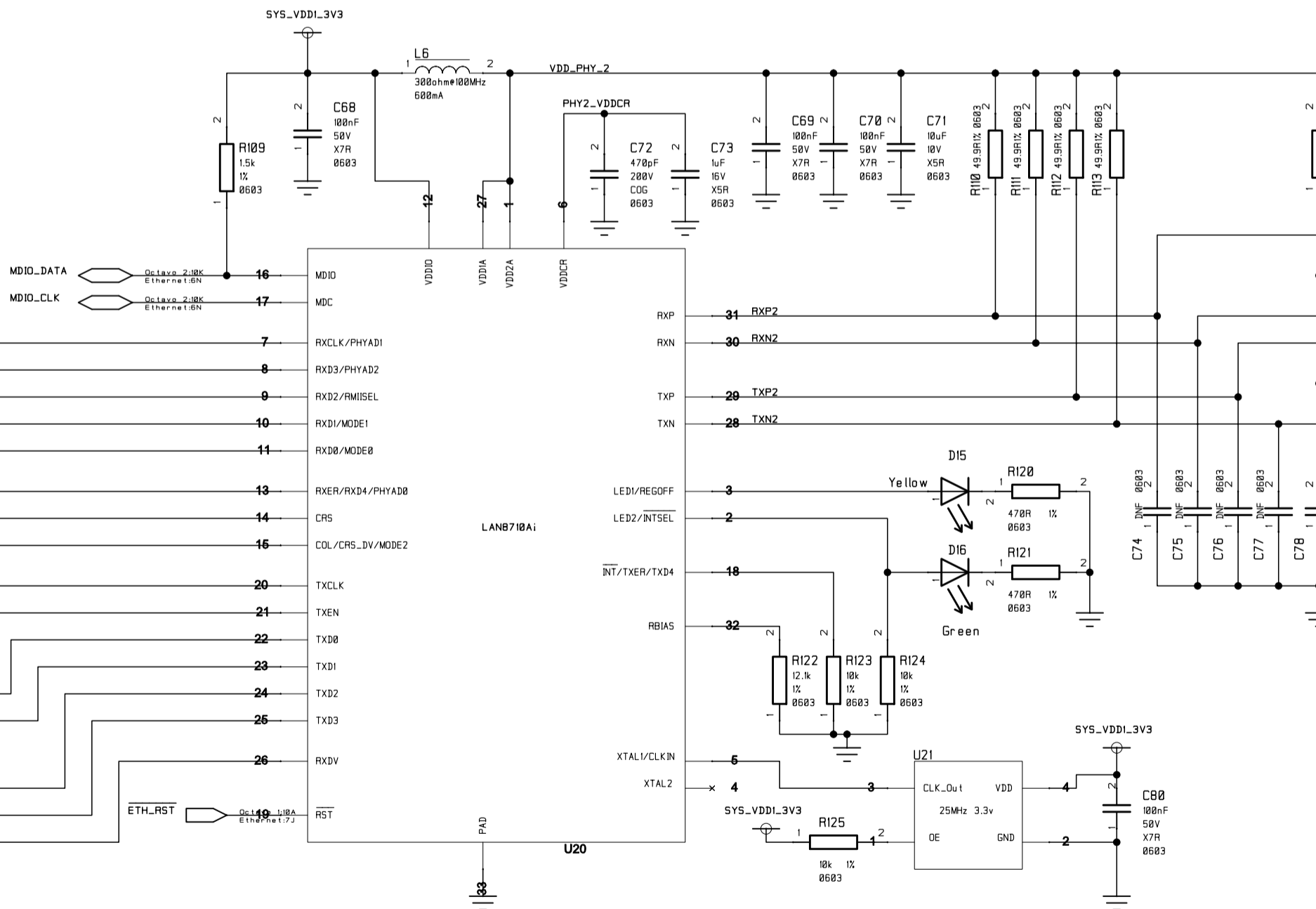
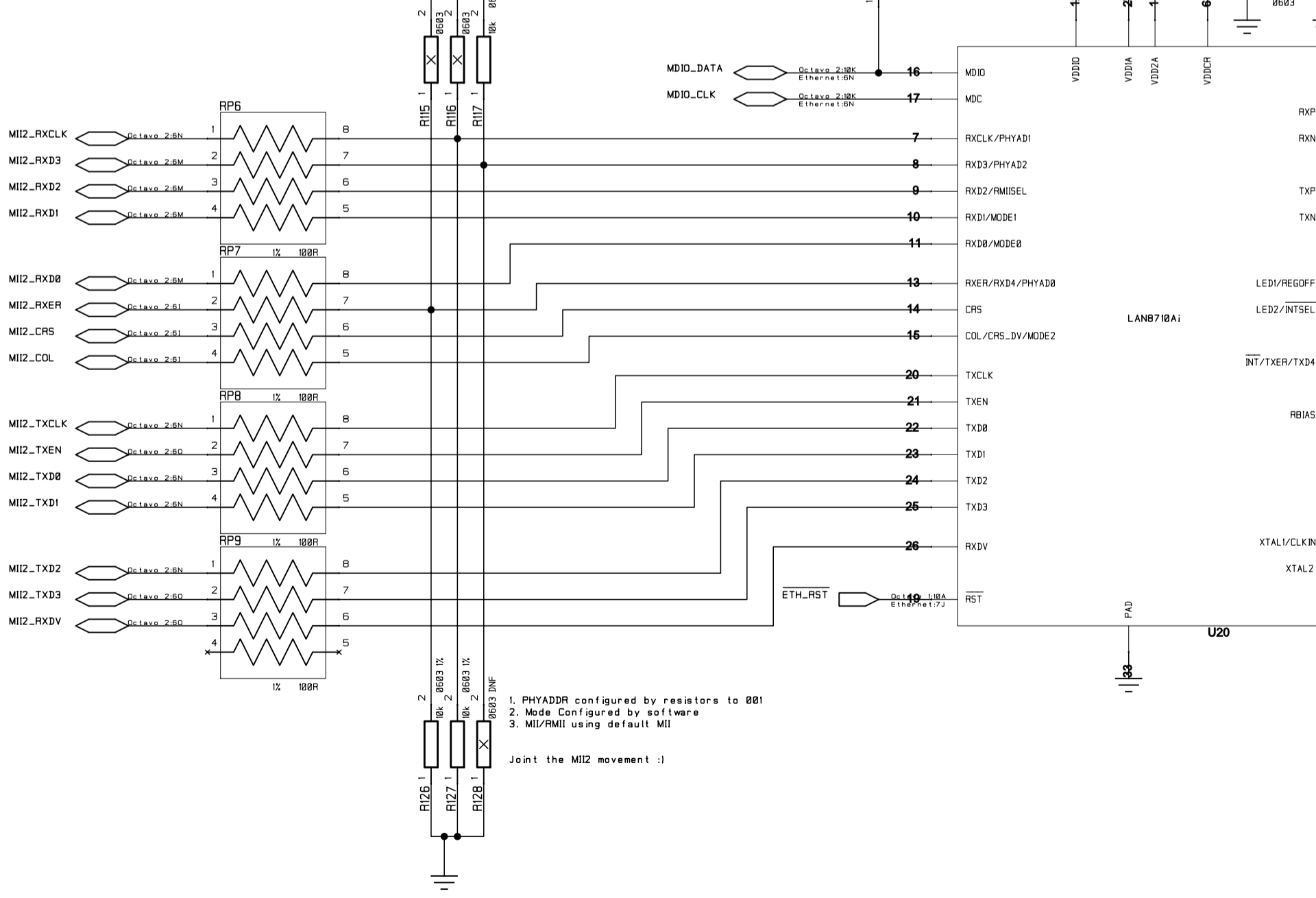
### ISOLATED UPSTREAM CONNECTIONS



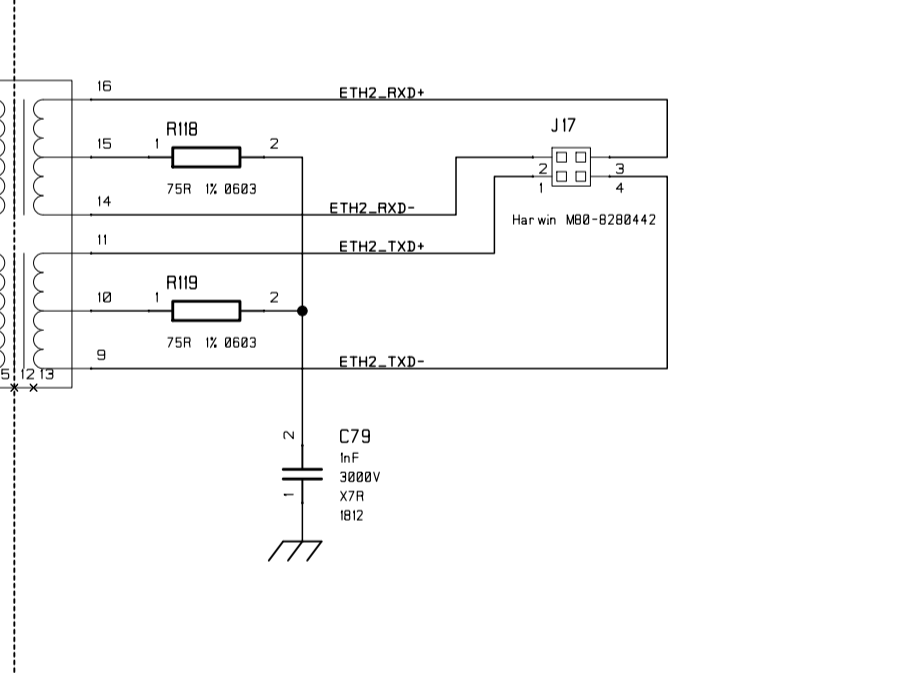
Note: Ethernets are switched together using the internal Sitara Ethernet switch

### Ethernet PHY (100baseT) #2

- PHYADDR configured by resistors to 001
- Mode Configured by software
- MI1/RM1 using default MI1



### ISOLATED DOWNSTREAM CONNECTIONS



RITAD DRAWN		M Maher		Copyright 2018		Saab Seaeeye Ltd	
GRANSKAD CHECKED		GODKÄND APPROVED		LITEAYA ISSUE		SKALA SCALE A2	
BENÄMNING TITLE				ÄNDRING REVISION		REGISTERAD REGISTERED	
E-Manip Master Controller				Draft		DENNA HANDLING AR SAAB SEAEYE LTD EGENDOM OCH FÄR INTE UTAN SKRIFTLIGT MEDGIVANDE KÖPERAS. DELGES TREDJE MAN ELLER ANVANDAS FÖR ANNAT ANDAMAL AN VAD SOM SKRIFTLIGEN MEDGIVITS	
RITNING NR. DRAWING NO.				BLAD SHEET		THIS DOCUMENT IS THE PROPERTY OF SAAB SEAEYE AND MUST NOT BE REPRODUCED OR DISCLOSED TO ANY THIRD PARTY OR USED IN ANY UNAUTHORISED MANNER WITHOUT WRITTEN CONSENT	
Ethernet 10							