

OSD32MP1-BRK Header Default Functions

Version 2
6/1/2020

USB VIN & Communication

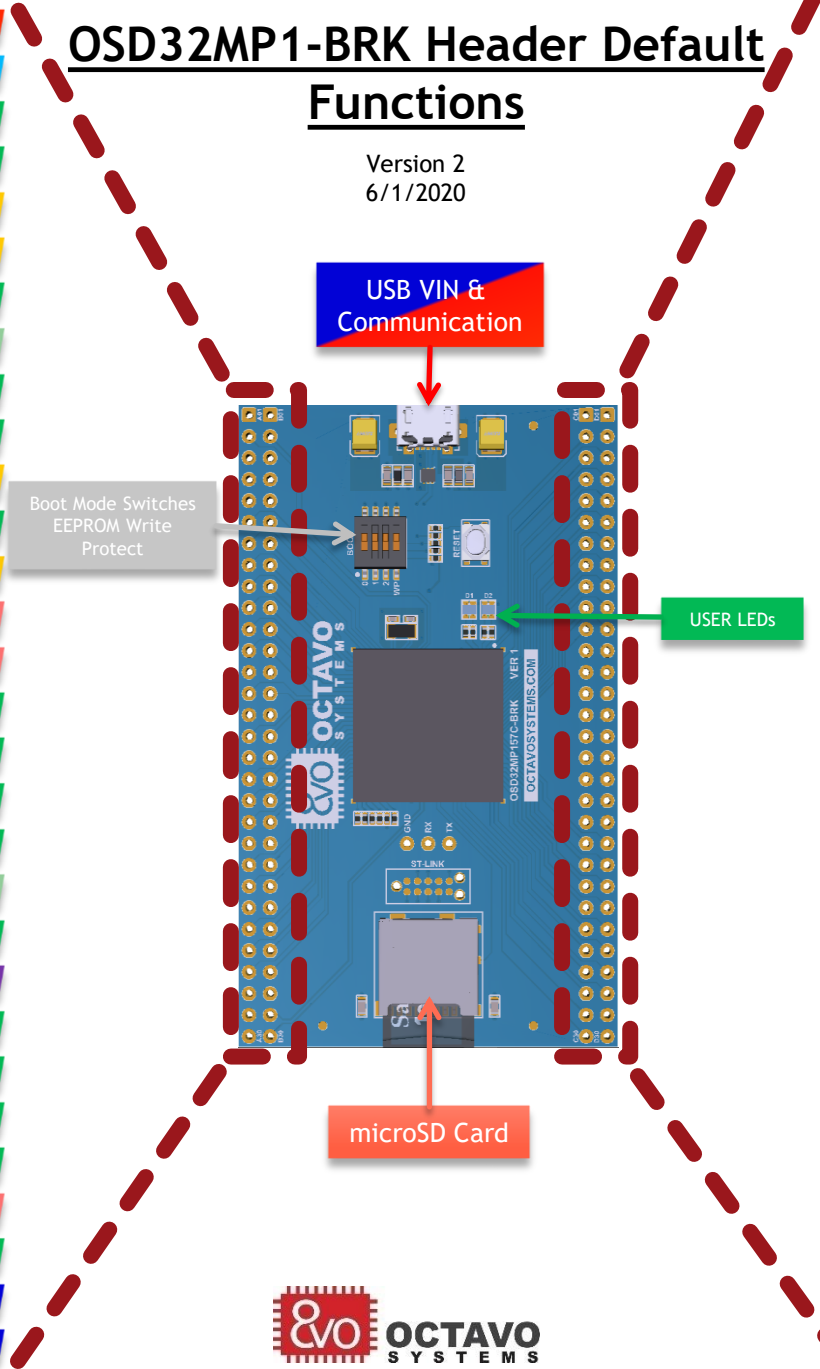
Boot Mode Switches
EEPROM Write Protect

USER LEDs

microSD Card



VIN	VIN	A01
ANA4	ANA0	A02
TIM8_CH2	PI6	A03
PI5	PI5	A04
SPI2_NSS	PI0	A05
SPI2_SCK	PI1	A06
FDCAN1_RX	PH14	A07
FDCAN1_TX	PH13	A08
I2C1_SCL	PH11	A09
TIM12_CH2	PH9	A10
SPI4_MOSI	PE14	A11
SPI4_NSS	PE11	A12
PH8	PH8	A13
PD10	PD10	A14
PH5	PH5	A15
USART2_RX	PF4	A16
USART2_TX	PF5	A17
I2C2_SCL	PF1	A18
I2C2_SDA	PG15	A19
PD4	PD4	A20
PD6	PD6	A21
I2C5_SDA	PD0	A22
TIM4_CH2	PB7	A23
PE3	PE3	A24
PB15	PB15	A25
UART7_RX	PB3	A26
PE5	PE5	A27
PB14	PB14	A28
GND	VSS	A29
GND	VSS	A30



3.3V	PMIC_V4OUT	C01
PD9	PD9	C02
PD15	PD15	C03
PD14	PD14	C04
PF3	PF3	C05
PC3	PC3	C06
PG13	PG13	C07
PG1	PG1	C08
PG4	PG4	C09
PF14	PF14	C10
PB1	PB1	C11
SPI6_MISO	PZ1	C12
SPI6_NSS	PZ3	C13
TONKEY	PMIC_PONKEYN	C14
VLD02	PMIC_LDO2	C15
VBAT	VBAT	C16
VSW	PMIC_SWOUT	C17
VBST	PMIC_BSTOUT	C18
PC5	PC5	C19
PA1	PA1	C20
PC4	PC4	C21
PB10	PB10	C22
UART5_RX	PB12	C23
PC1	PC1	C24
PA4	PA4	C25
PA6	PA6	C26
PD11	PD11	C27
PF6	PF6	C28
PD12	PD12	C29
PB6	PB6	C30

D01	PMIC_V4OUT	3.3V
D02	NRST	RESETN
D03	PB8	PB8
D04	PA14	PA14
D05	PG12	PG12
D06	PA3	PA3
D07	PE2	PE2
D08	PG14	PG14
D09	PG2	PG2
D10	PB11	PB11
D11	PF13	PF13
D12	PZ0	SPI6_SCK
D13	PZ2	SPI6_MOSI
D14	PC2	PC2
D15	PG0	PG0
D16	PG3	PG3
D17	PF15	PF15
D18	PF12	PF12
D19	PG5	PG5
D20	PB5	TIM3_CH2
D21	PB0	PB0
D22	PA7	PA7
D23	PB13	UART5_TX
D24	PA2	PA2
D25	PA5	PA5
D26	PC0	PC0
D27	PF11	PF11
D28	PD13	PD13
D29	VSS	GND
D30	VSS	GND

Key

- Physical Header Number
- OSD32MP1 Pin Name
- Power Input
- Power Output
- Ground
- PMIC Signals
- Analog Input
- GPIO
- SPI
- FDCAN
- PWM
- UART
- I2C
- USART
- USB
- Configuration
- MMC