


REV	DESCRIPTION	DATE	BY
A	Initial Release for Production	20160303	KT
B	Updated after receiving latest design recommendations for OSD3358	20160305	ND

SHEET	DESCRIPTION
1	Cover Sheet
2	Power Management
3	Processor 1 of 3, JTAG Header
4	Processor 2 of 3, USB Ports
5	Processor 3 of 3
6	LED, Configuration and Button
7	eMMC FLASH
8	10/100 Ethernet
9	HDMI Framer
10	Expansion Connector, uSD



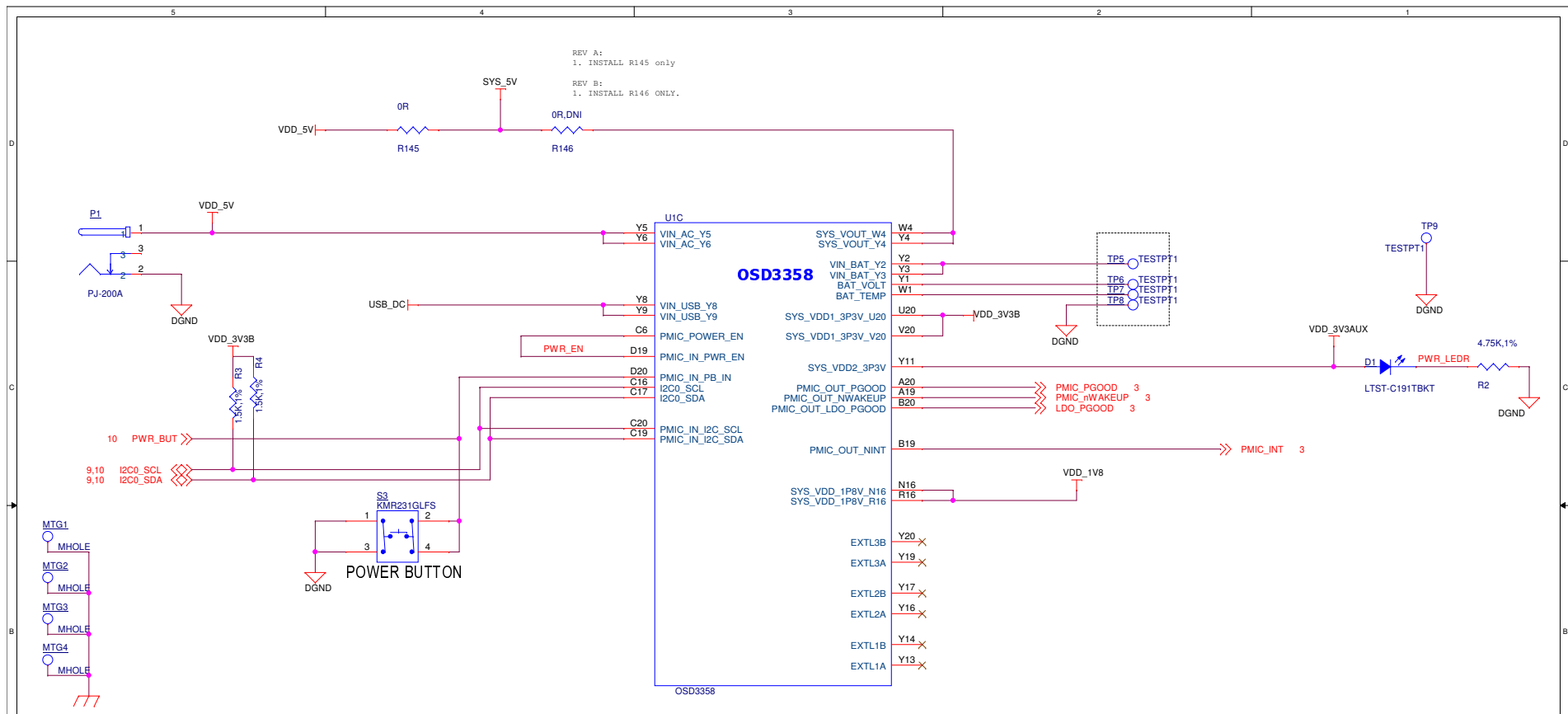
**OCTAVO
SYSTEMS**

Copyright 2016 Octavo Systems LLC - Confidential

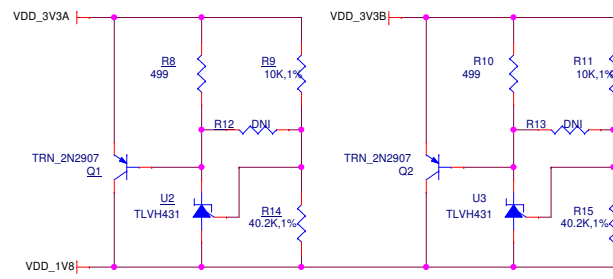
Title
OSD2258 Single-board Computer Reference Design

Size	Document Number	Rev
B	20160303-001	B

Date Thursday, May 05, 2016 Sheet 1 of 10



ESD RING AROUND ENTIRE EDGE
OF THE BOARD ON ALL LAYERS.
VIAS THROUGH ALL LAYERS
EVERY 100 MILS.



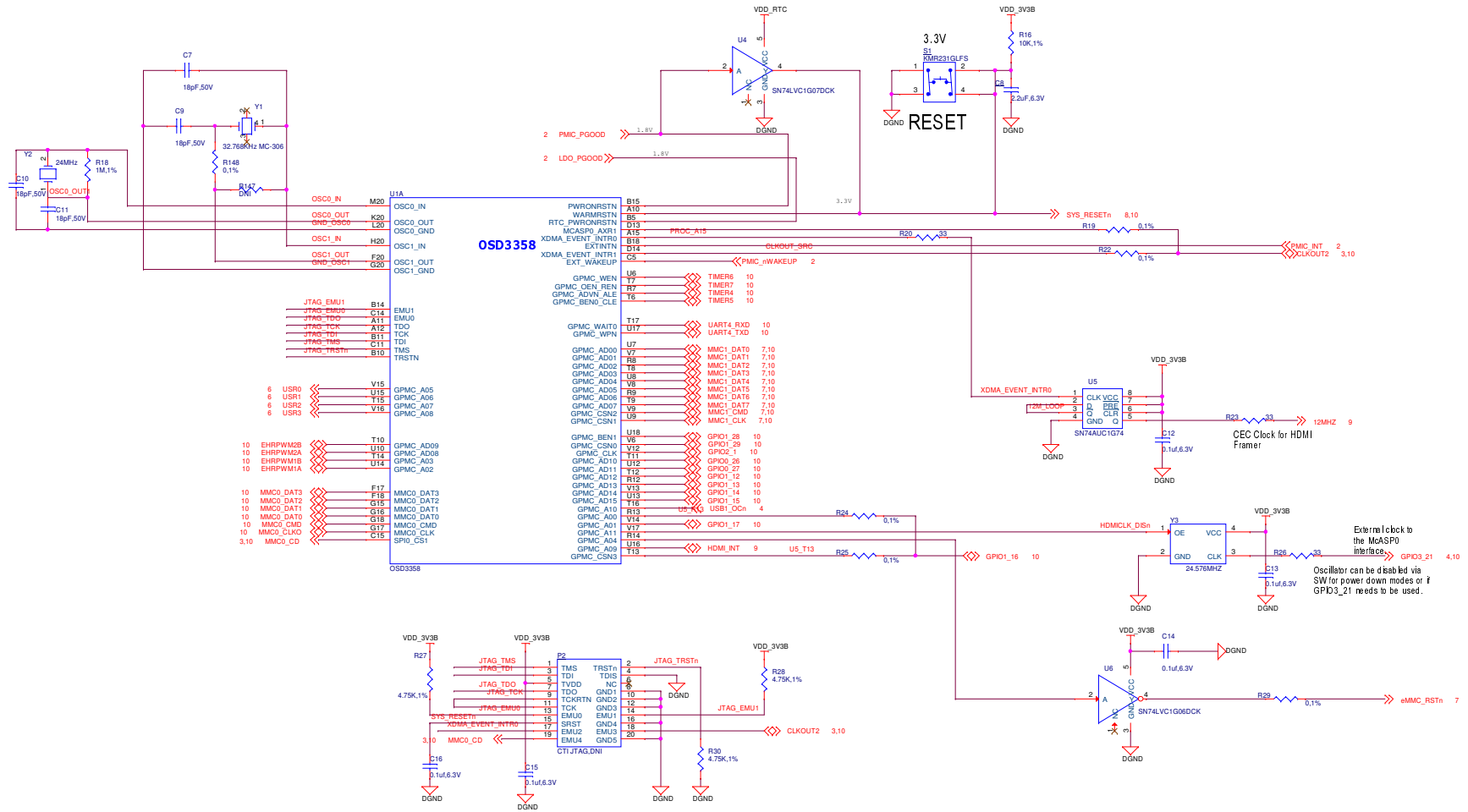
OCTAVO SYSTEMS

Copyright 2016 Octavo Systems LLC - Confidential

Title
OSD3358 Single-board Computer Reference Design

Size B Document Number 20160303-001 Rev B

Date Thursday, May 05, 2016 Sheet 2 of 10



Copyright 2016 Octavo Systems LLC - Confidential

File	OSD3358 Single-board Computer Reference Design		Rev	B
Size	Document Number	20160303-001		
Date	Thursday, May 05, 2016	Sheet	3 of 10	

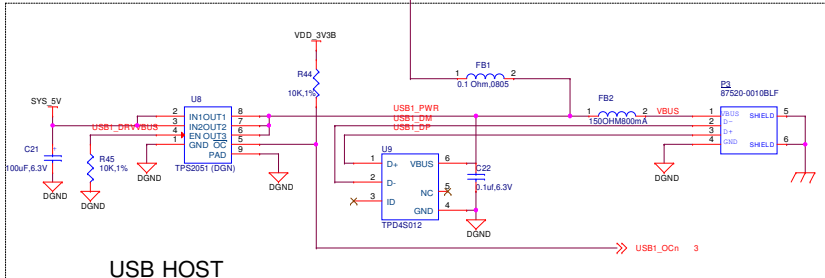
Mark pin 1 clearly

UART0 Serial Port
USB to TTL
Serial Cable
3.3V

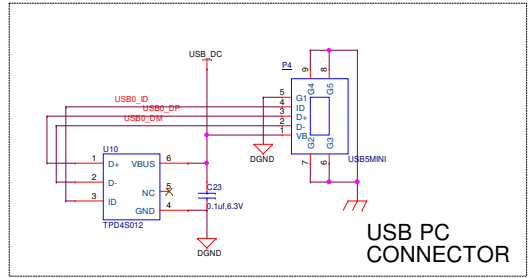
POWERDOWN ISOLATION

OSD3358

OSD3358



USB HOST

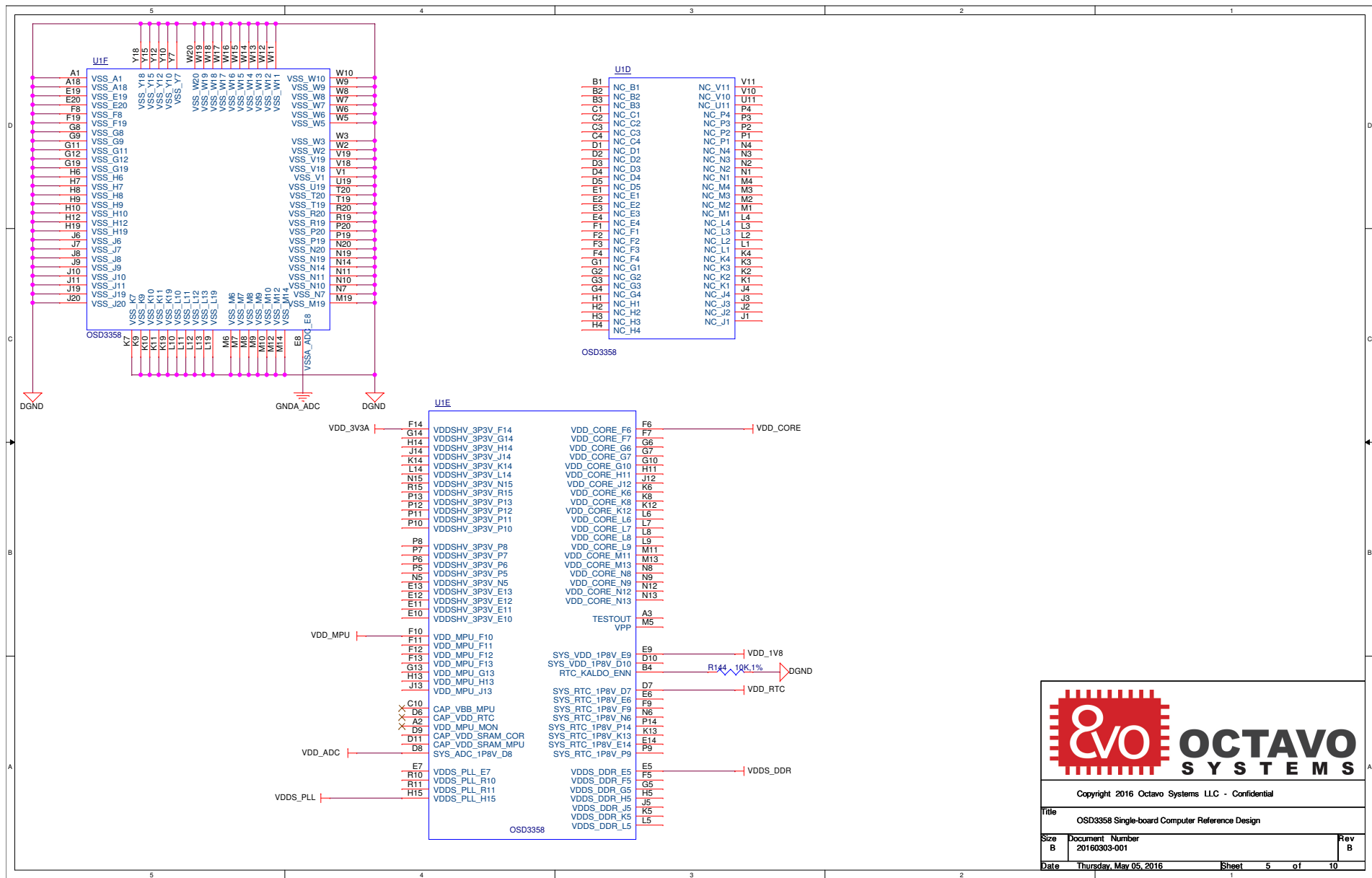


USB PC CONNECTOR



Copyright 2016 Octavo Systems LLC - Confidential

File	OSD3358 Single-board Computer Reference Design	
Size	Document Number	Rev
C	20160303-001	B
Date	Thursday, May 05, 2016	Sheet 4 of 10



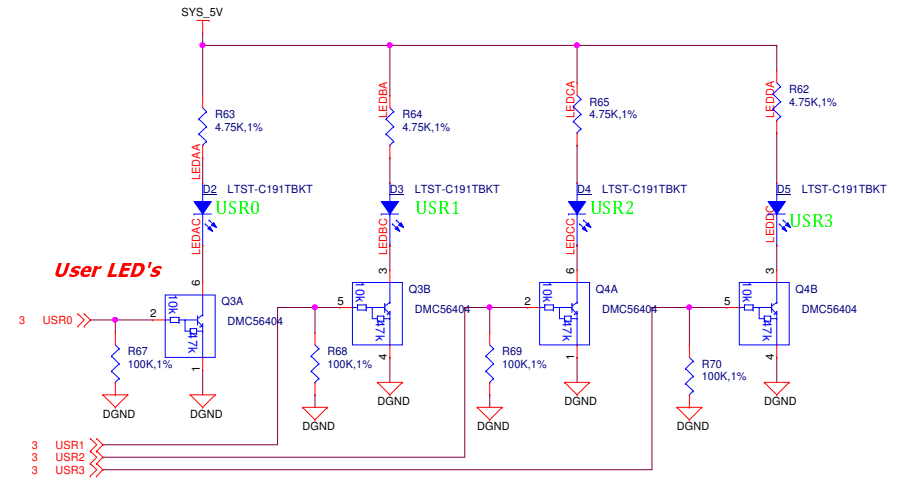
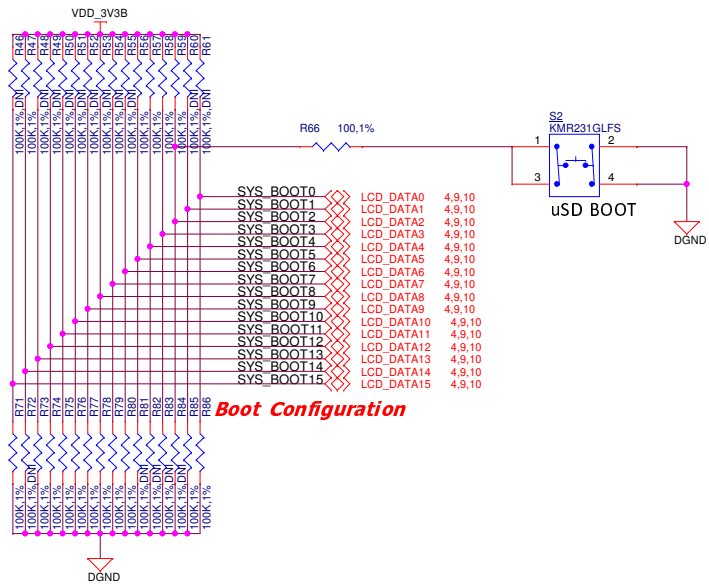
OCTAVO SYSTEMS

Copyright 2016 Octavo Systems LLC - Confidential

Title: OSD3358 Single-board Computer Reference Design

Size	Document Number	Rev
B	20160303-001	B

Date: Thursday, May 05, 2016 Sheet: 5 of 10



SYSBOOT[15:14]	SYSBOOT[13:12]	SYSBOOT[11:10]	SYSBOOT[9]	SYSBOOT[8]	SYSBOOT[7:6]	SYSBOOT[5]	SYSBOOT[4:0]	Boot Sequence			
00b = 19.2MHz 01b = 24MHz 10b = 25MHz 11b = 26MHz	00b (all other values reserved)	Don't care for ROM code	Don't care for ROM code	Don't care for ROM code	Don't care for ROM code	0 = CLKOUT1 disabled 1 = CLKOUT1 enabled	11100b	MMC1	MMC0	UART0	USB0[5]
00b = 19.2MHz 01b = 24MHz 10b = 25MHz 11b = 26MHz	00b (all other values reserved)	Don't care for ROM code	Don't care for ROM code	Don't care for ROM code	Don't care for ROM code	0 = CLKOUT1 disabled 1 = CLKOUT1 enabled	11000b	SPI0	MMC0	USB0[5]	UART0

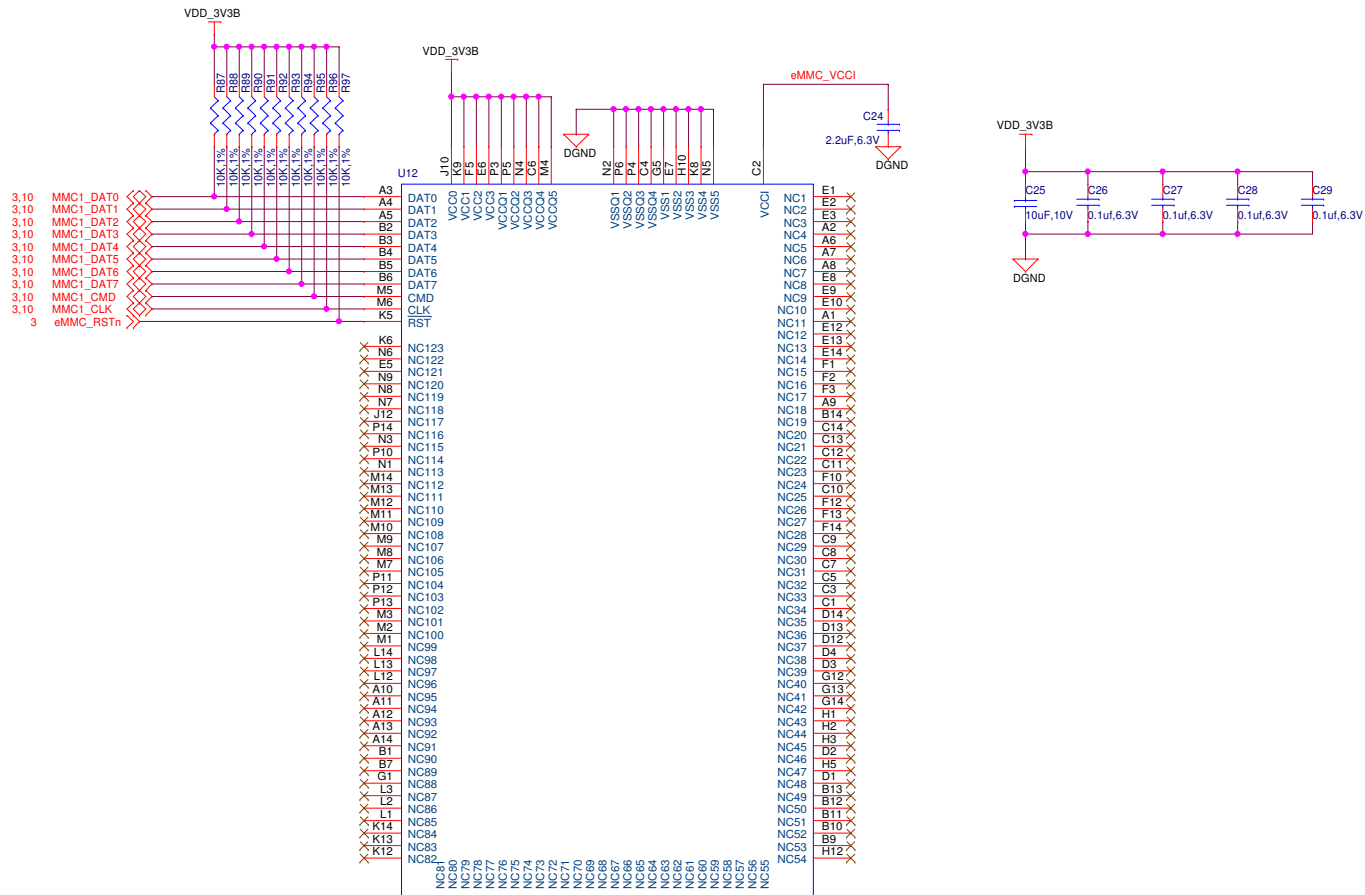
OCTAVO SYSTEMS

Copyright 2016 Octavo Systems LLC - Confidential

Title: OSD3358 Single-board Computer Reference Design

Size B Document Number 20160303-001 Rev B

Date Thursday, May 05, 2016 Sheet 6 of 10



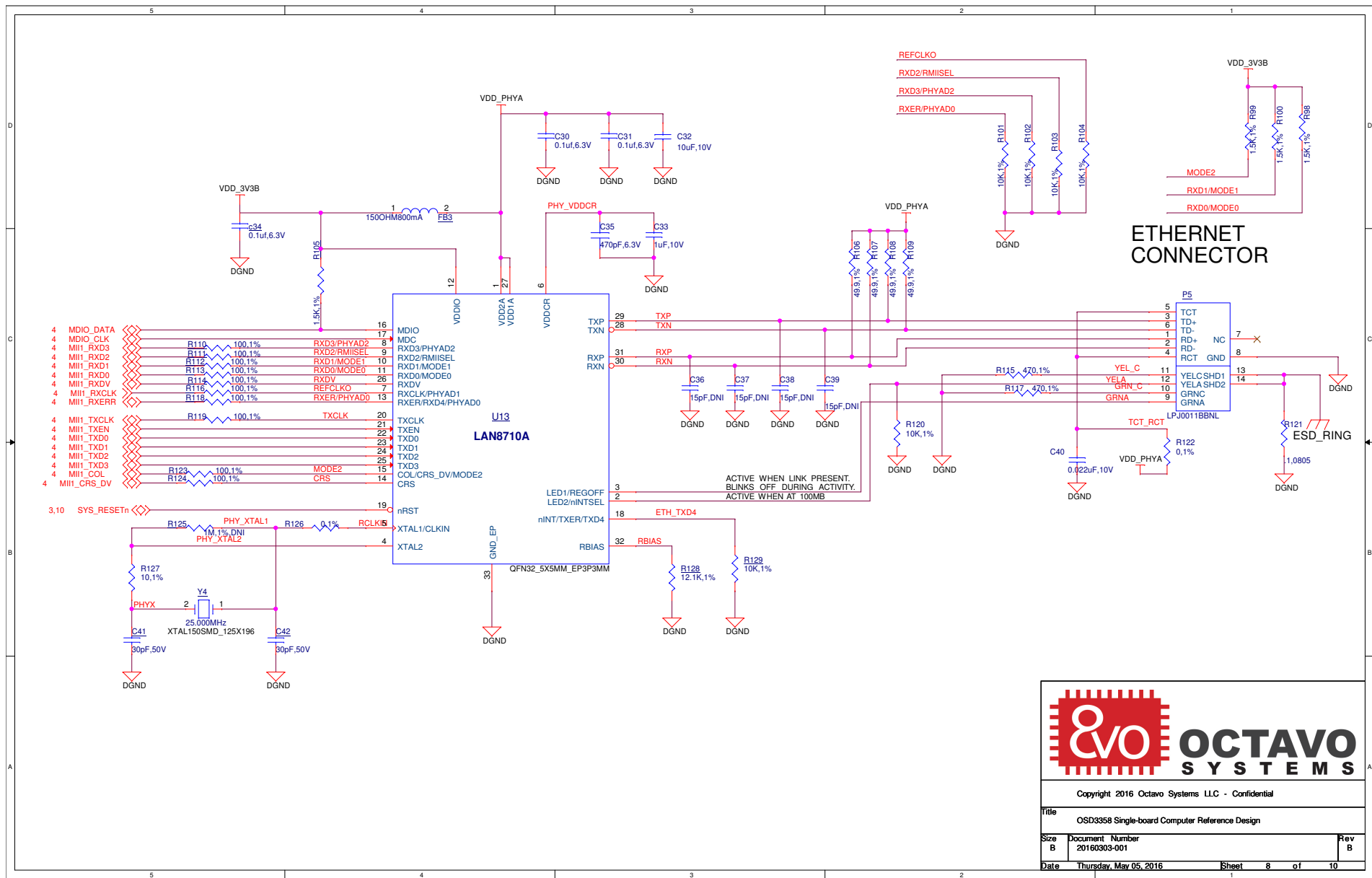
MEM_MNAND_4GB
 MTFCA GLDEA 0M WT
 KE4CN2H5A-A58

OCTAVO SYSTEMS

Copyright 2016 Octavo Systems LLC - Confidential

Title: OSD3358 Single-board Computer Reference Design

Size B	Document Number 20160303-001	Rev B
Date	Thursday, May 05, 2016	Sheet 7 of 10

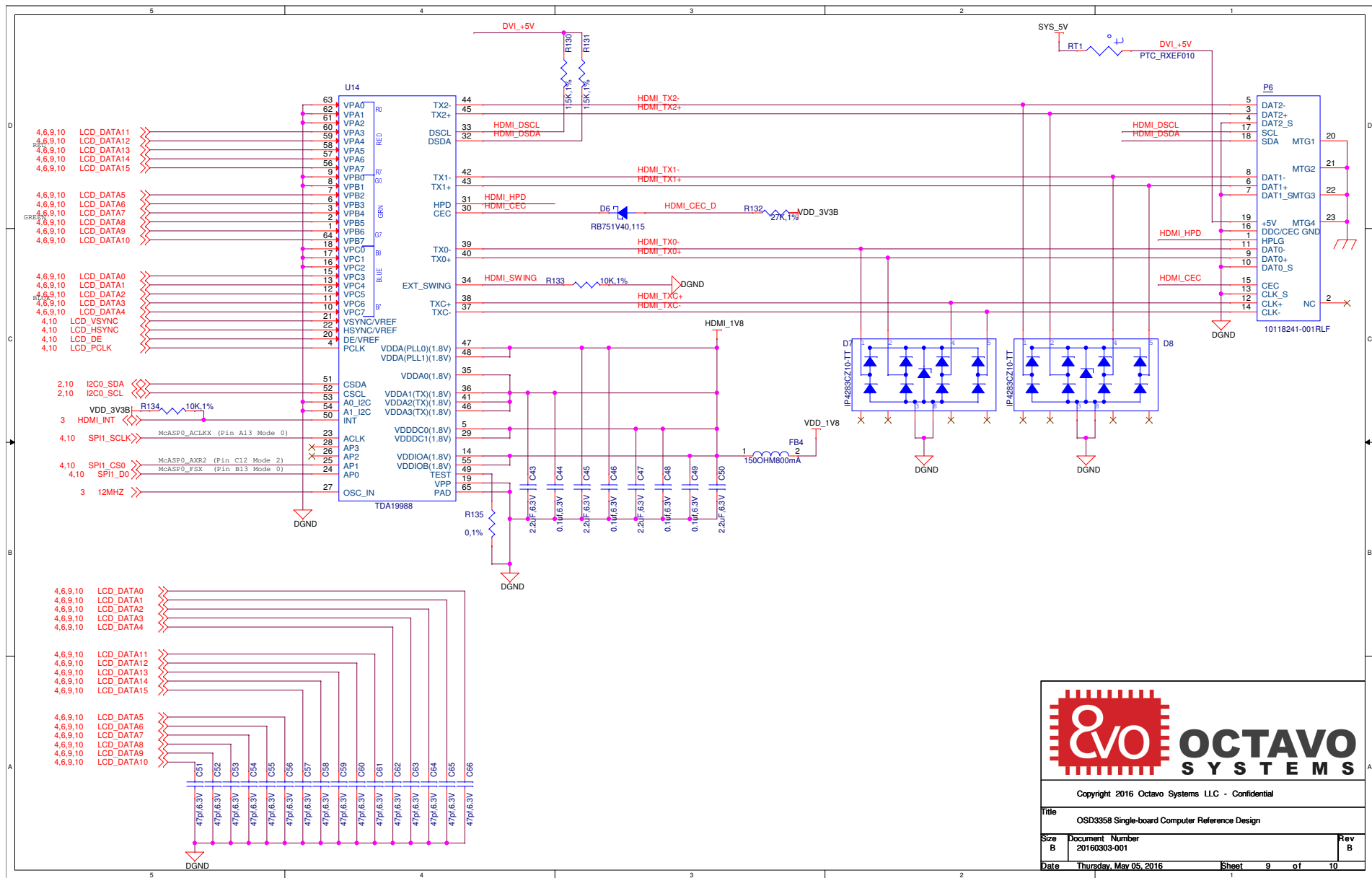



OCTAVO SYSTEMS

Copyright 2016 Octavo Systems LLC - Confidential

Title: OSD3358 Single-board Computer Reference Design

Size B	Document Number 20160303-001	Rev B
Date	Thursday, May 05, 2016	Sheet 8 of 10



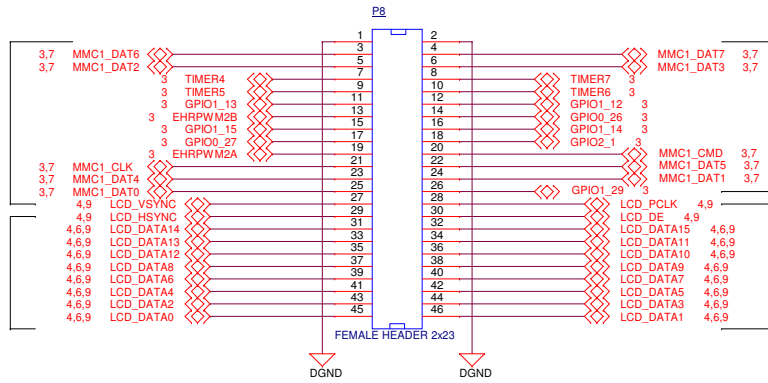


OCTAVO SYSTEMS

Copyright 2016 Octavo Systems LLC - Confidential

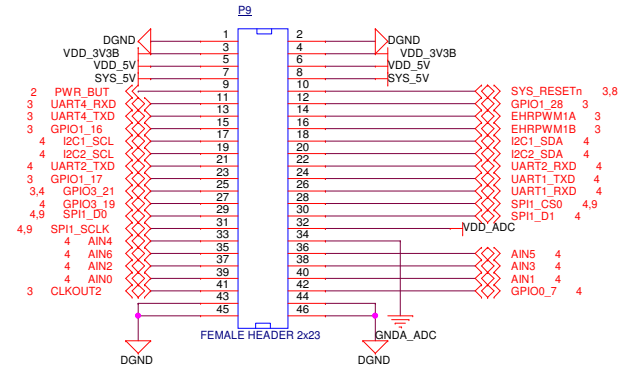
Title		
OSD3358 Single-board Computer Reference Design		
Size	Document Number	Rev
B	20160303-001	B
Date	Thursday, May 05, 2016	Sheet 9 of 10

CAUTION: USED ON BOARD

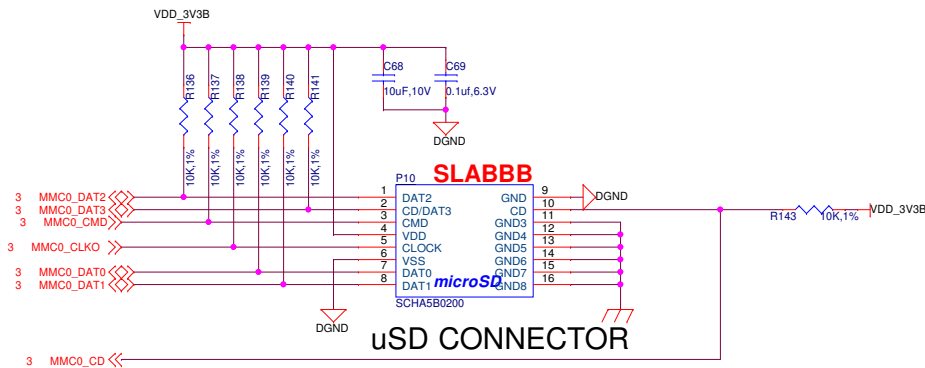


CAUTION: USED ON BOARD

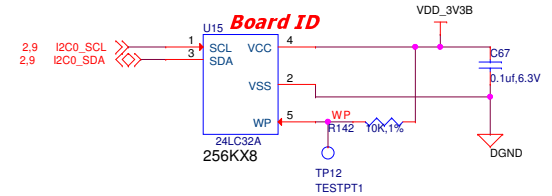
EXPANSION HEADER



EXPANSION HEADER



uSD CONNECTOR



OCTAVO SYSTEMS

Copyright 2016 Octavo Systems LLC - Confidential

Title: OSD3358 Single-board Computer Reference Design

Size B	Document Number 20160303-001	Rev B
Date Thursday, May 05, 2016	Sheet 10 of 10	